

“Custom Call Processing Telephony Server”

Reasons to purchase

- ❑ You need to handle telephone calls in some special way but your existing voice systems won't let you
- ❑ You need a solution in weeks, not months
- ❑ You need a new solution but don't want to risk fouling up your existing, stable voice systems
- ❑ You need a street-wise outfit who understands your problem and can provide affordable solutions
- ❑ You need an outfit who understands specialised voice systems peculiar to the finance industry
- ❑ You need technology that is designed to work in a diverse range of 'Mission Critical' situations

"Our Team has over a decade of experience in the design and implementation of Custom Call Processing Systems".

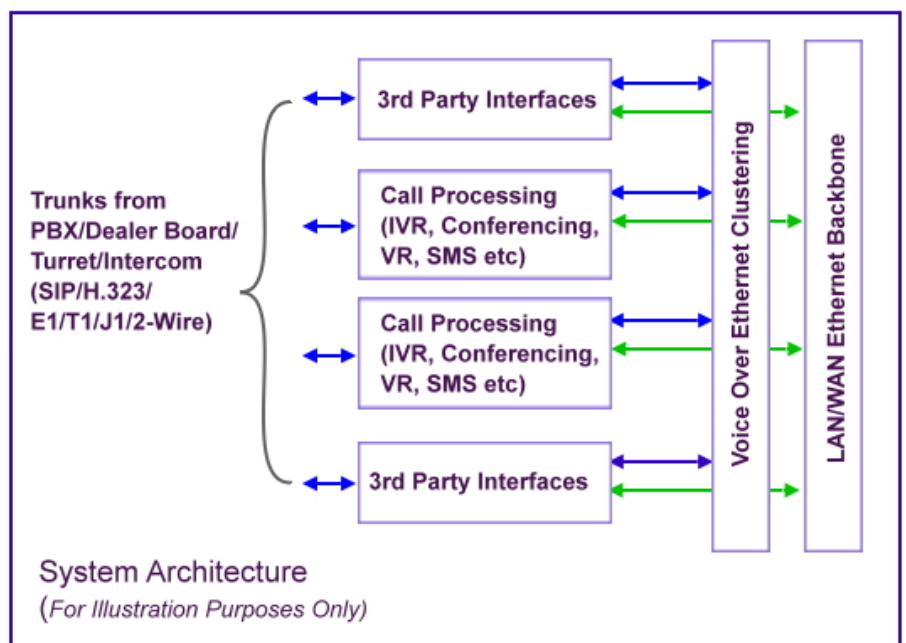
What is “Custom Call Processing”

- ❑ Miton VOIP+Plus platform forms an advanced, stable and scalable telecommunications platform on which to build custom telecommunications applications.
- ❑ The sky is the limit when imagining what you can achieve once a call is routed to the VOIP+Plus platform - we can interact with a subscriber using IVR and DTMF on the subscriber's handset; we can collect information from the subscriber or deliver information to the subscriber via voice, fax or SMS. We can connect a subscriber to critical Hoot'n'Holler channels or even mix several channels together for the subscriber. We can authenticate your subscribers and divy out information according to their authenticated credentials. We can blast dial subscribers and pass information to them, or allocate them to agents based on agent availability and user-selected options. See overleaf for a full list of call processing functionality available as standard on the Miton VOIP+Plus platform.
- ❑ Miton Call Processing systems are built from similar, modular components interconnected using Ethernet. Each module can be quickly replaced with a spare in the event of failure, offering significant advantages in the cost of maintaining a realistic spares strategy. Hithertoo you only had the option of a spare replacement system (expensive) or card-level spares (you can never be certain they will work until placed into service). By contrast, Miton Call Processing systems require only one standard component as a standby replacement which can be kept running continuously to prove its continued health.
- ❑ Miton Call Processing Systems are

designed in collaboration with our Alliance partners in the Finance Industry, Tecbridge Ltd. Tecbridge brings world-class expertise in design and deployment of global voice systems in the Finance Industry to the party.

VoIP+Plus Overview

- ❑ VoIP+Plus is a complete PC-Based Internet PBX which runs on Linux and provides all of the features you would expect from a PBX and more. VoIP+Plus does voice over IP in three protocols, and can interoperate with almost all traditional standards-based telephony equipment using relatively inexpensive hardware.
- ❑ VoIP+Plus provides Voicemail services with Directory, Call Conferencing, Interactive Voice Response, Call Queuing. It has support for three-way calling, caller ID services, ADSI, SIP and H.323 (as both client and gateway). Check the Features section for a more complete list.



- ❑ VoIP+Plus needs no additional hardware for Voice over IP. For interconnection with digital and analog telephony equipment, VoIP+Plus supports a number of hardware devices, most notably all of the hardware manufactured. For example, single and quad span T1 and E1 interfaces for interconnection to PRI lines and channel banks as well as a single port FXO card and a one to four-port modular FXS card.
- ❑ Also supported are the Internet Line Jack and Internet Phone Jack products from Quicknet.
- ❑ VoIP+Plus supports a wide range of Time Division Multiplex (TDM) protocols for the handling and transmission of voice over traditional telephony interfaces. VoIP+Plus supports US and European standard signaling types used in standard business phone systems, allowing it to bridge between next generation voice-data integrated networks and existing infrastructure. VoIP+Plus not only supports traditional phone equipment, it enhances them with additional capabilities.
- ❑ Using the IAX Voice over IP protocol, VoIP+Plus merges voice and data traffic seamlessly across disparate networks. While using Packet Voice, it is possible to send data such as URL information and images in-line with voice traffic, allowing advanced integration of information.
- ❑ VoIP+Plus provides a central switching core, with four APIs for modular loading of telephony applications, hardware interfaces, file format handling, and codecs1. It allows for transparent switching between all supported interfaces, allowing it to tie together a diverse mixture of telephony systems into a single switching network.

System Features

- ❑ Linux O/S
- ❑ Distributed granular architecture
- ❑ Fully Scaleable
- ❑ VOIP/TDM/Analog interfaces available
- ❑ Economic but comprehensive spares strategy
- ❑ SNMP - includes Bridge health + network status
- ❑ Browser based management tools
- ❑ Backed with World-Class support and exp

Specification Overview

Hardware



- ❑ Voltage (240/110v)
- ❑ Dual Redundant, Dual feed Power Supplies
- ❑ Rack Mount 1U/2U Industrial spec PC
- ❑ Single or Dual Processor depending on capacity

- ❑ Up to 120 channels per chassis with E1/T1 Card
- ❑ Bridge Clustering technology for larger systems
- ❑ Fan failure
- ❑ Mirrored Disk Array
- ❑ Hardware monitoring (option)
- ❑ CD-ROM
- ❑ 100MB/sec Ethernet port

Software

- ❑ Linux Operating System
- ❑ MySQL Database
- ❑ Access software to other databases
- ❑ Apache Web Server
- ❑ System event logging system
- ❑ SIP Connectivity (Option)
- ❑ Firewall software

Voice Over Ethernet Backbone

- ❑ Type Proprietary Voice over Ethernet
- ❑ Medium 1000/100 BaseT Ethernet
- ❑ Options Dual Redundant
- ❑ Capacity 2000+ Concurrent conferences/Channels

Manufacturer



Miton Systems Ltd.,
49 Dove Park, Chorleywood, Hertfordshire, London England.
Tel: +44 (0) 1923 286501 Fax: +44(0) 1923 286498
info@miton.co.uk www.miton.co.uk

All Trademarks are the property of their respective owners. © Copyright Miton Systems Ltd 2006

Manufacturers Representative - Global Finance Markets



Tecbridge Ltd.,
400 Thames Valley Park Reading RG6 1PT, UK
Tel: +44 (0) 118 965 3423 Fax: + 44 (0) 118 965 3523
info@tecbridge.co.uk www.tecbridge.co.uk